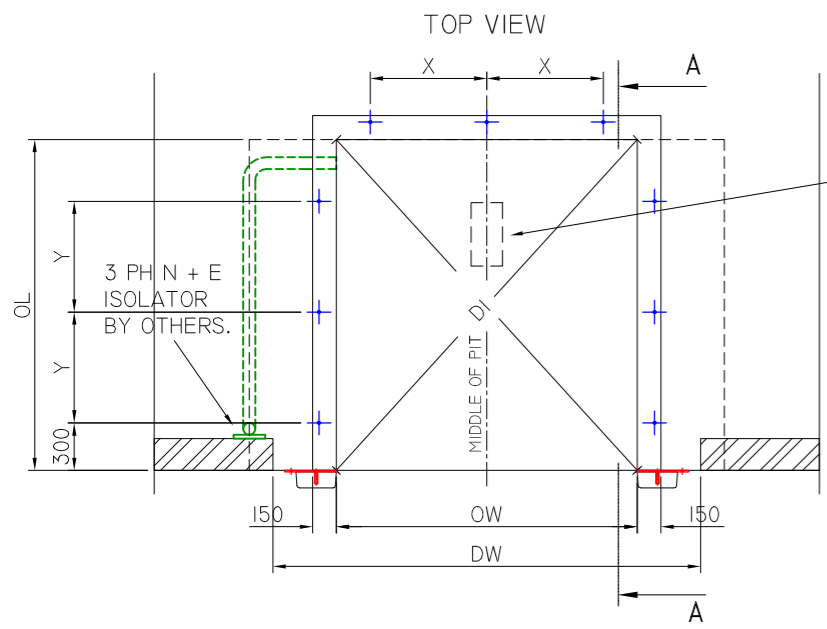


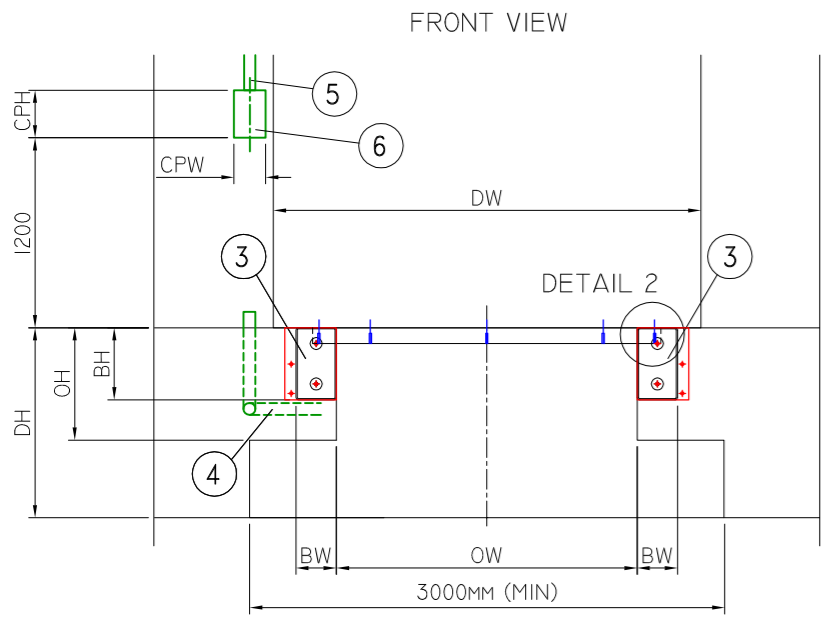
DO NOT SCALE FROM THIS DRAWING



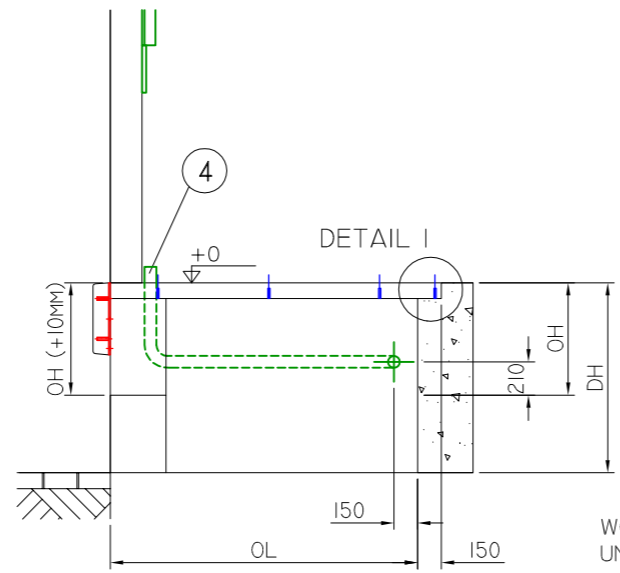
BEARING SUPPORT FOR THE TYPES 105; 106; 107 AND 108. WIDTH 500MM, LENGTH 1000MM - POSITIONED 1000MM FROM REAR SIDE OF PIT.

MODEL No:-
CAPACITY:-
SINGLE AXEL LOAD AS EN1398.

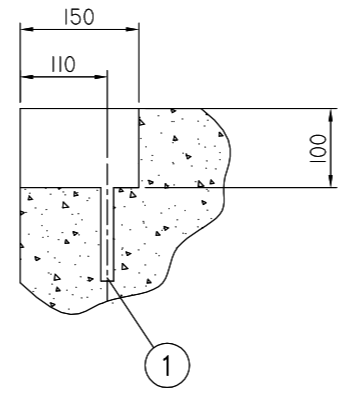
PIT MUST BE SQUARE AND TRUE.
TOLERANCE ON CIVIL WORK +10MM/-0MM.
ALL ANGLES TO BE FIRMLY EMBEDDED IN SOUND CONCRETE.



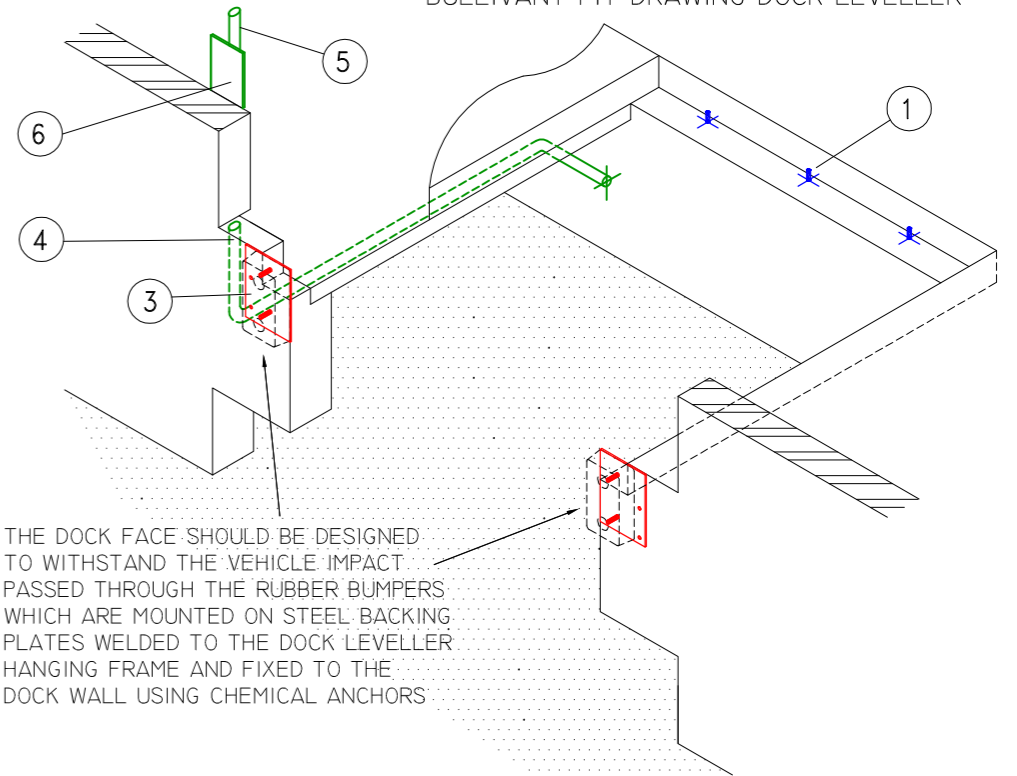
SECTION A-A



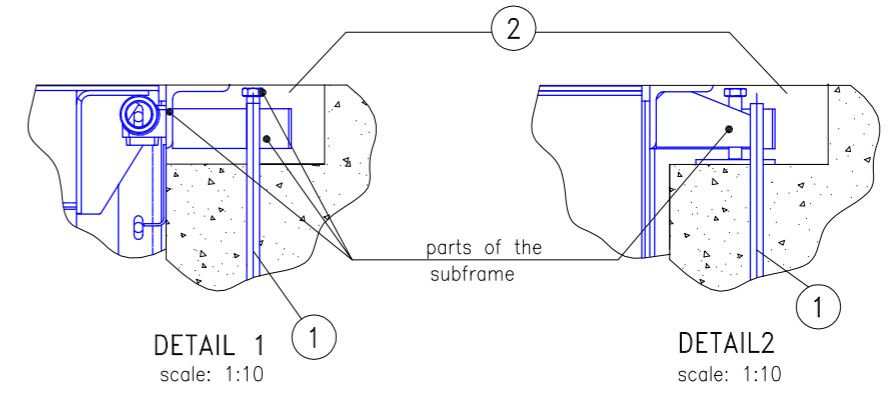
BEFORE MOUNTING DOCK LEVELLER
DETAIL 1 AND 2



BULLIVANT PIT DRAWING DOCK LEVELLER



THE DOCK FACE SHOULD BE DESIGNED TO WITHSTAND THE VEHICLE IMPACT PASSED THROUGH THE RUBBER BUMPERS WHICH ARE MOUNTED ON STEEL BACKING PLATES WELDED TO THE DOCK LEVELLER HANGING FRAME AND FIXED TO THE DOCK WALL USING CHEMICAL ANCHORS



WORK TO BE CARRIED OUT BY CUSTOMER, UNLESS IN ADVANCE OTHERWISE IS AGREED IN WRITING.

CONSTRUCTIONAL:

- THE PIT INCLUDING ALL MARKINGS.
- 1. EXPANDING BOLTS OR CHEMICAL ANCHOR BOLTS (REAR OF PIT) AND NUTS & BOLTS WITH WASHERS FITTED AT TIME OF INSTALLATION (SIDES OF PIT).
- 2. AFTER INSTALLATION, FLOOR TO BE MADE GOOD - RECESS TO BE FILLED WITH EPOXY RESIN MORTAR.
- 3. PROVIDE SUITABLE MOUNTING SURFACE FOR BUMPERS, DIMENSIONS BW x BH.

ELECTRICAL SUPPLY REQUIRED TO BE: (FOR ELECTRO-HYDRAULIC OPERATED DOCK LEVELLERS)

- CABLE PROTECTION BETWEEN FLOOR LEVEL AND CONTROL PANEL.
- 4. 75MM DIA. DUCT INTO PIT FOR ELECTRICAL CONNECTIONS BETWEEN DOCK LEVELLER AND CONTROL PANEL.
- 5. 400v 3 PHASE NEUTRAL AND EARTH TERMINATING IN ISOLATOR FIXED IN POSITION SHOWN.
- 6. PROVIDE SUITABLE MOUNTING SURFACE FOR CONTROL PANEL, DIMENSIONS CPWxCPH.

- BUMPER BRACKETS
- STEELWORK
- ELECTRICAL ITEMS

NOTE:

- PIT MUST BE SQUARE AND TRUE.
- PLEASE BE ADVISED BY OUR SALES DEPARTMENT REGARDING THE TAIL LIFT OPENING.
- DRAWING TO SHOW THE PIT FORCES ARE AVAILABLE ON REQUEST.
- AT BUMPER FIXATION POINTS, FORCES OF 59 KN ARE TO BE EXPECTED ON PREFABRICATED CONCRETE WITH 30 TON LORRIES AND A VELOCITY OF 5KM/H.

YOUR DIMENSIONS :	OL	OW	OH	DI	X	Y	DH	DW	BW	BH	CPW	CPH

DH = DOCK HEIGHT	BW = BUMPER WIDTH	CPW = CONTROL PANEL WIDTH
DW = DOOR WIDTH	BH = BUMPER HEIGHT	CPH = CONTROL PANEL HEIGHT

MODEL	009	010	011	012	013	014	015	016	017	019	608	610	612	708	710	712	105	106	107	108	
UNITS IN MM																					
OL = OVERALL LENGTH	2000	2500	3000	3500	2000	2500	3000	3500	4000	4000	2170	2770	3370	2170	2770	3370	4500	5000	4500	5000	
OW = OVERALL WIDTH	2070	2070	2070	2070	2320	2320	2320	2320	2070	2320	1900	1900	1900	2170	2170	2170	2070	2070	2320	2320	
OH = OVERALL HEIGHT (232)	610	610	610	610	610	610	610	610	610	610	610	610	610	610	610	610	910	910	910	910	
OH = OVERALL HEIGHT (233)	710	710	710	710	710	710	710	710	710	710	710	710	710	710	710	710	1010	1010	1010	1010	
DI = DIAGONAL	2889	3257	3657	4079	3076	3422	3804	4212	4517	4637	2896	3371	3881	3079	3531	4021	4967	5425	5076	5526	
X = ANCHOR DISTANCE MIDDLE	735	735	735	735	860	860	860	860	735	860	650	650	650	785	785	785	735	735	860	860	
Y = EXTRA ANCHOR	700	950	1200	1450	700	950	1200	1450	1700	1700	785	1085	1385	785	1085	1385	1950	2200	1950	2200	

PIT DETAIL FOR POWER RAMP TYPE 310 DOCK LEVELLER WITH HANGING FRAME

DRG No: WEB 310 REV:

CONTACT: SALES@EASILIFT.CO.UK
 WEB: WWW.EASILIFT.CO.UK
 TEL: 01484 601 400

