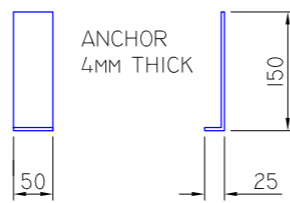
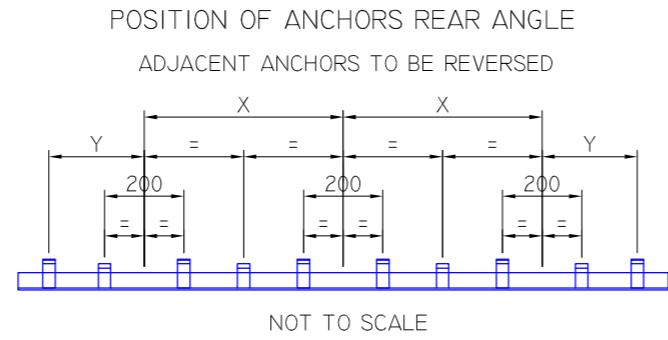
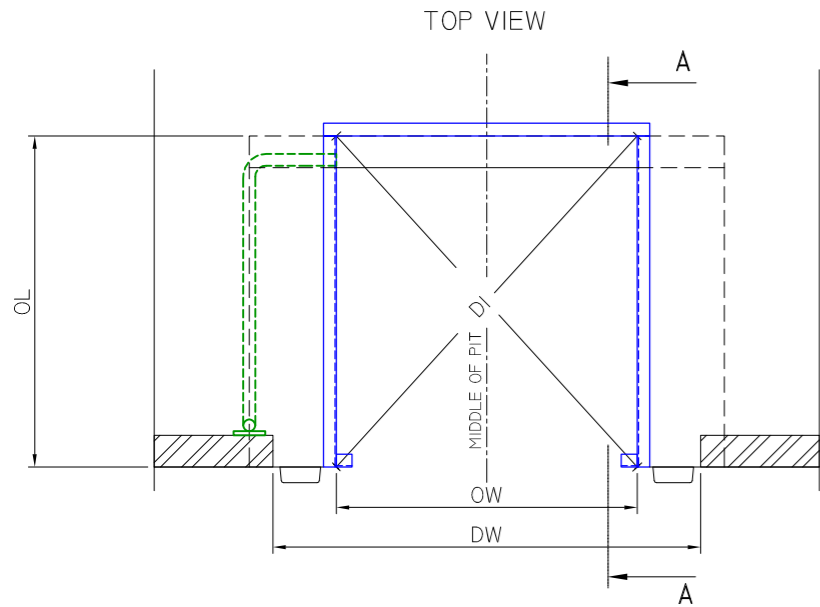


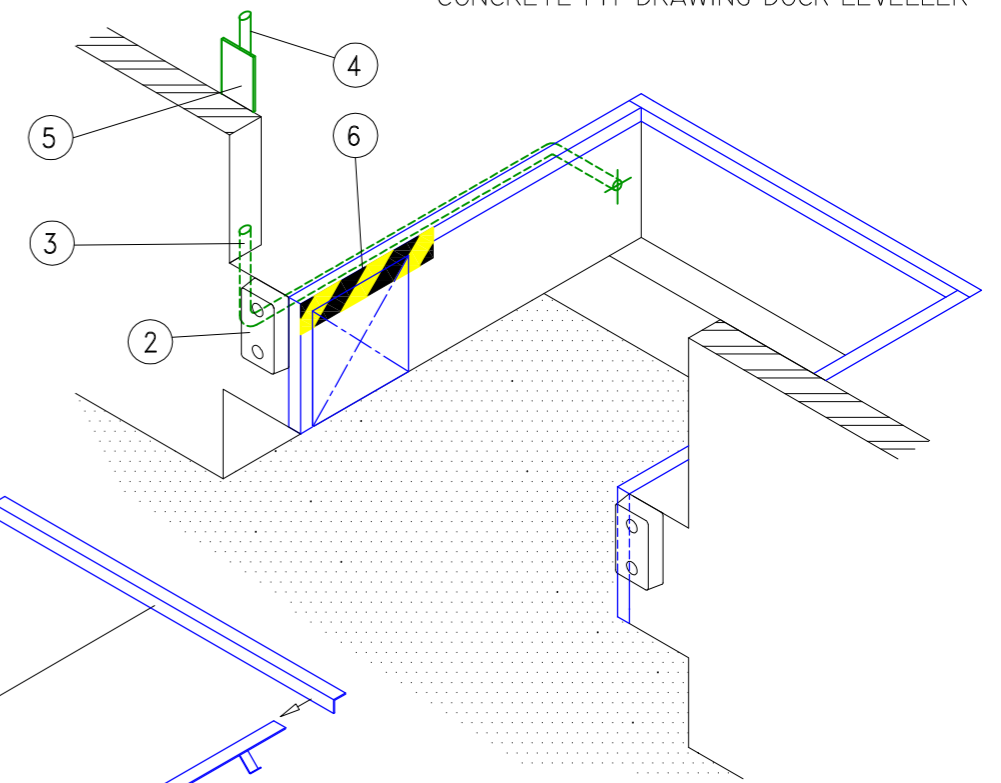
**DO NOT SCALE FROM THIS DRAWING**

CONCRETE PIT DRAWING DOCK LEVELLER

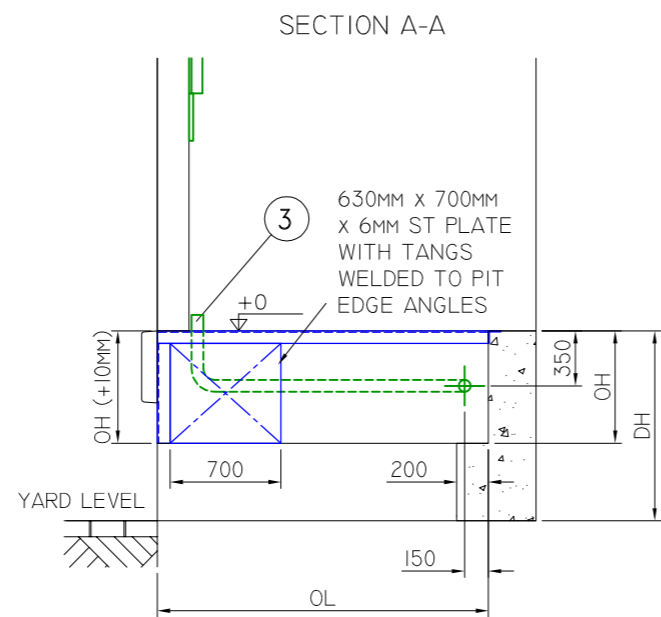
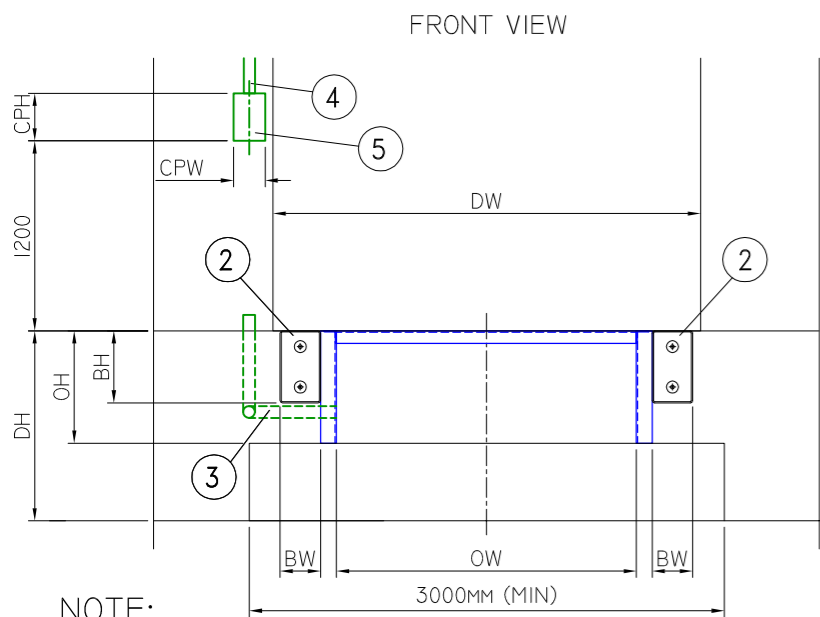


MODEL No:-  
CAPACITY:-  
SINGLE AXEL LOAD AS ENI398.

PIT MUST BE SQUARE AND TRUE.  
TOLERANCE ON CIVIL WORK +10MM/-0MM.  
ALL ANGLES TO BE FIRMLY EMBEDDED  
IN SOUND CONCRETE.



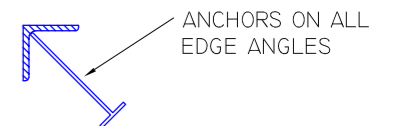
PIT EDGE ANGLES



630MM x 700MM x 6MM ST PLATE WITH TANGS WELDED TO PIT EDGE ANGLES

DISTANCE BETWEEN ANCHORS ON SIDE ANGLES APPROXIMATELY 400MM

ANCHORS MUST BE EQUALLY SPREAD OUT AND MAY NOT BE FURTHER APART THAN 240MM



WORK TO BE CARRIED OUT BY CUSTOMER, UNLESS IN ADVANCE OTHERWISE IS AGREED IN WRITING.

- CONSTRUCTIONAL:
- THE PIT INCLUDING ALL MARKINGS.
  - 1. SUPPLY AND FIT PIT EDGE ANGLES (80x80x6).
  - 2. PROVIDE SUITABLE MOUNTING SURFACE FOR BUMPERS, DIMENSIONS BWxBH.

- ELECTRICAL SUPPLY REQUIRED TO BE: (FOR ELECTRO-HYDRAULIC OPERATED DOCK LEVELLERS)
- CABLE PROTECTION BETWEEN FLOOR LEVEL AND CONTROL PANEL.
  - 3. 75MM DIA. DUCT INTO PIT FOR ELECTRICAL CONNECTIONS BETWEEN DOCK LEVELLER AND CONTROL PANEL.
  - 4. 400V 3 PHASE NEUTRAL AND EARTH TERMINATING IN ISOLATOR FIXED IN POSITION SHOWN.
  - 5. PROVIDE SUITABLE MOUNTING SURFACE FOR CONTROL PANEL, DIMENSIONS CPWxCPH.

- OTHER:
- 6. PLACE YELLOW / BLACK DIAGONALLY STRIPED PIT MARKING.

- BUMPER BRACKETS
- STEELWORK
- ELECTRICAL ITEMS

NOTE:

- ANCHORS MUST BE CONNECTED WITH REINFORCEMENT.
- PIT MUST BE SQUARE AND TRUE.
- PLEASE BE ADVISED BY OUR SALES DEPARTMENT REGARDING THE TAIL LIFT OPENING.
- DRAWING TO SHOW THE PIT FORCES ARE AVAILABLE ON REQUEST.
- AT BUMPER FIXATION POINTS, FORCES OF 59 KN ARE TO BE EXPECTED ON PREFABRICATED CONCRETE WITH 30 TON LORRIES AND A VELOCITY OF 5KM/H.

YOUR DIMENSIONS :	OL	OW	OH	DI	X	Y	DH	DW	BW	BH	CPW	CPH

DH = DOCK HEIGHT	BW = BUMPER WIDTH	CPW = CONTROL PANEL WIDTH
DW = DOOR WIDTH	BH = BUMPER HEIGHT	CPH = CONTROL PANEL HEIGHT

UNITS IN MM	MODEL	009	010	011	012	013	014	015	016	017	019	608	610	612	708	710	712	105	106	107	108
OL = OVERALL LENGTH		2090	2590	3090	3590	2090	2590	3090	3590	4090	4090	2260	2860	3460	2260	2860	3460	4590	5090	4590	5090
OW = OVERALL WIDTH		2030	2030	2030	2030	2280	2280	2280	2280	2030	2280	1860	1860	1860	2130	2130	2130	2030	2030	2280	2280
OH = OVERALL HEIGHT (232)		610	610	610	610	610	610	610	610	610	610	610	610	610	610	610	610	910	910	910	910
OH = OVERALL HEIGHT (233)		710	710	710	710	710	710	710	710	710	710	710	710	710	710	710	710	1010	1010	1010	1010
DI = DIAGONAL		2914	3291	3697	4124	3093	3451	3840	4253	4566	4683	2927	3412	3928	3106	3566	4063	5019	5480	5125	5577
X = ANCHOR DISTANCE MIDDLE		710	710	710	710	710	710	710	710	710	710	710	710	710	710	710	710	710	710	710	710
Y = EXTRA ANCHOR		-	-	-	-	300	300	300	300	-	300	-	-	-	-	-	-	-	-	300	300

**PIT DETAIL FOR POWER RAMP TYPE 320/233 DOCK LEVELLER WITH PIT EDGE ANGLES**

DRG No: WEB 320/233 REV:

CONTACT: [SALES@EASILIFT.CO.UK](mailto:SALES@EASILIFT.CO.UK)  
 WEB: [WWW.EASILIFT.CO.UK](http://WWW.EASILIFT.CO.UK)  
 TEL: 01484 601 400

